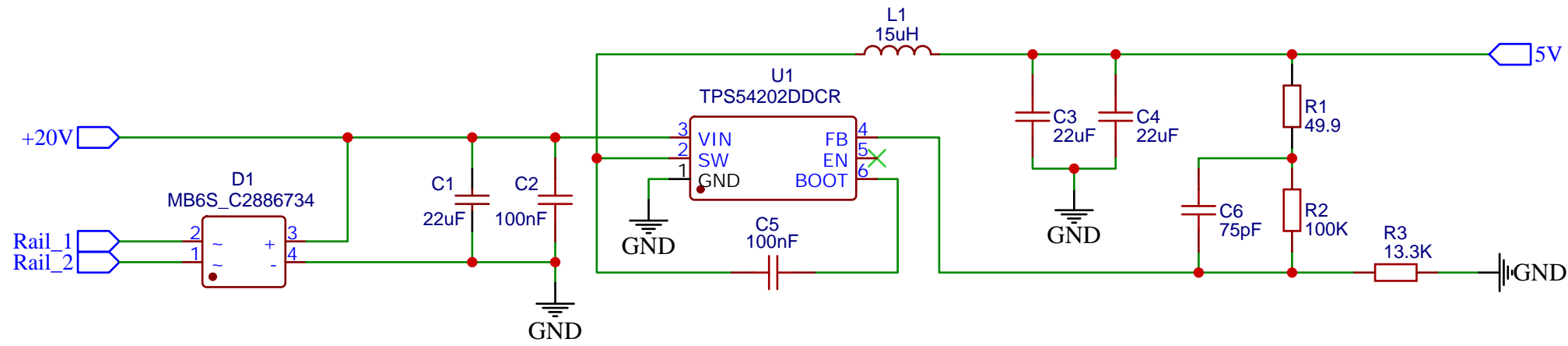
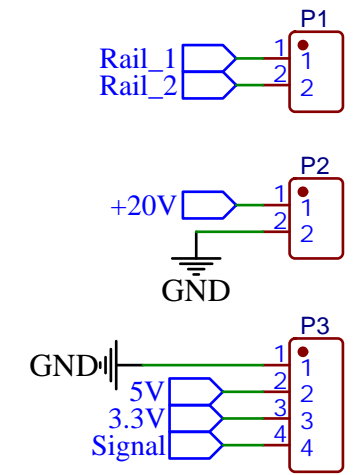


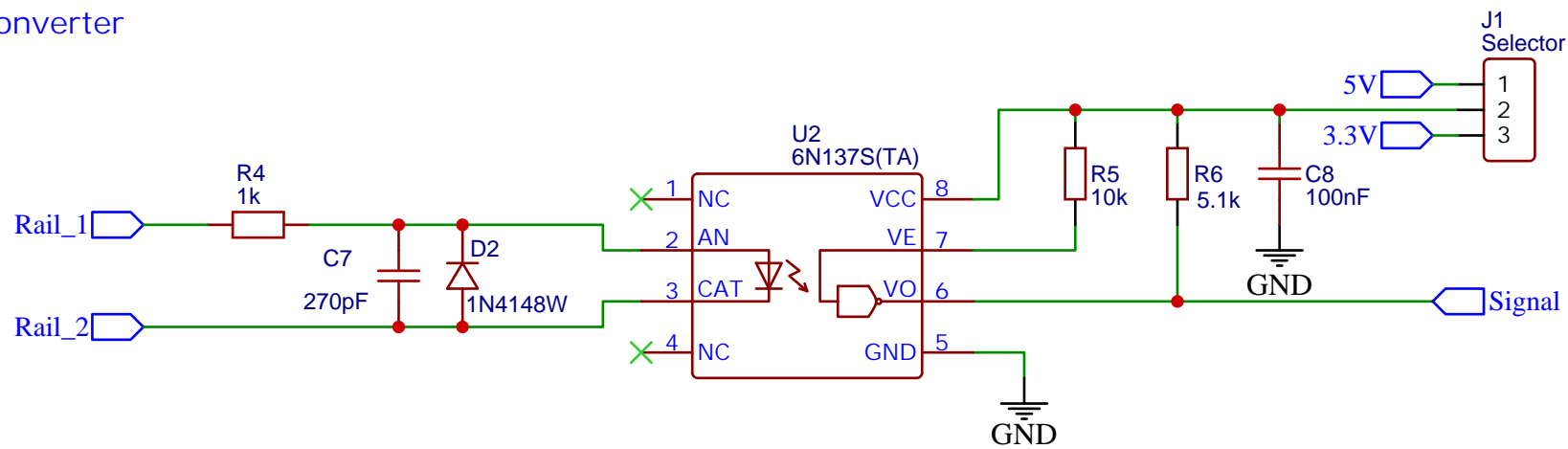
DC-DC 20V to 5V



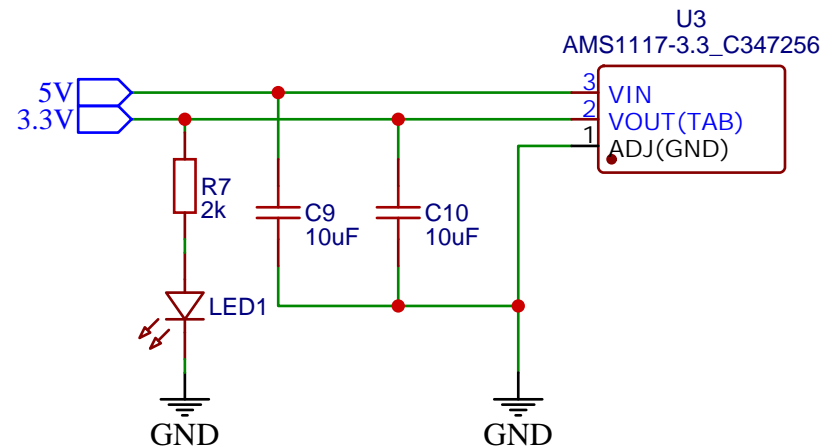
Screw terminals



DCC converter



LDO 5V to 3.3V



TITLE: DCC converter		REV: 1.0
	Company: LOCO	Sheet: 1/1
	Date: 2023-03-15	Drawn By: