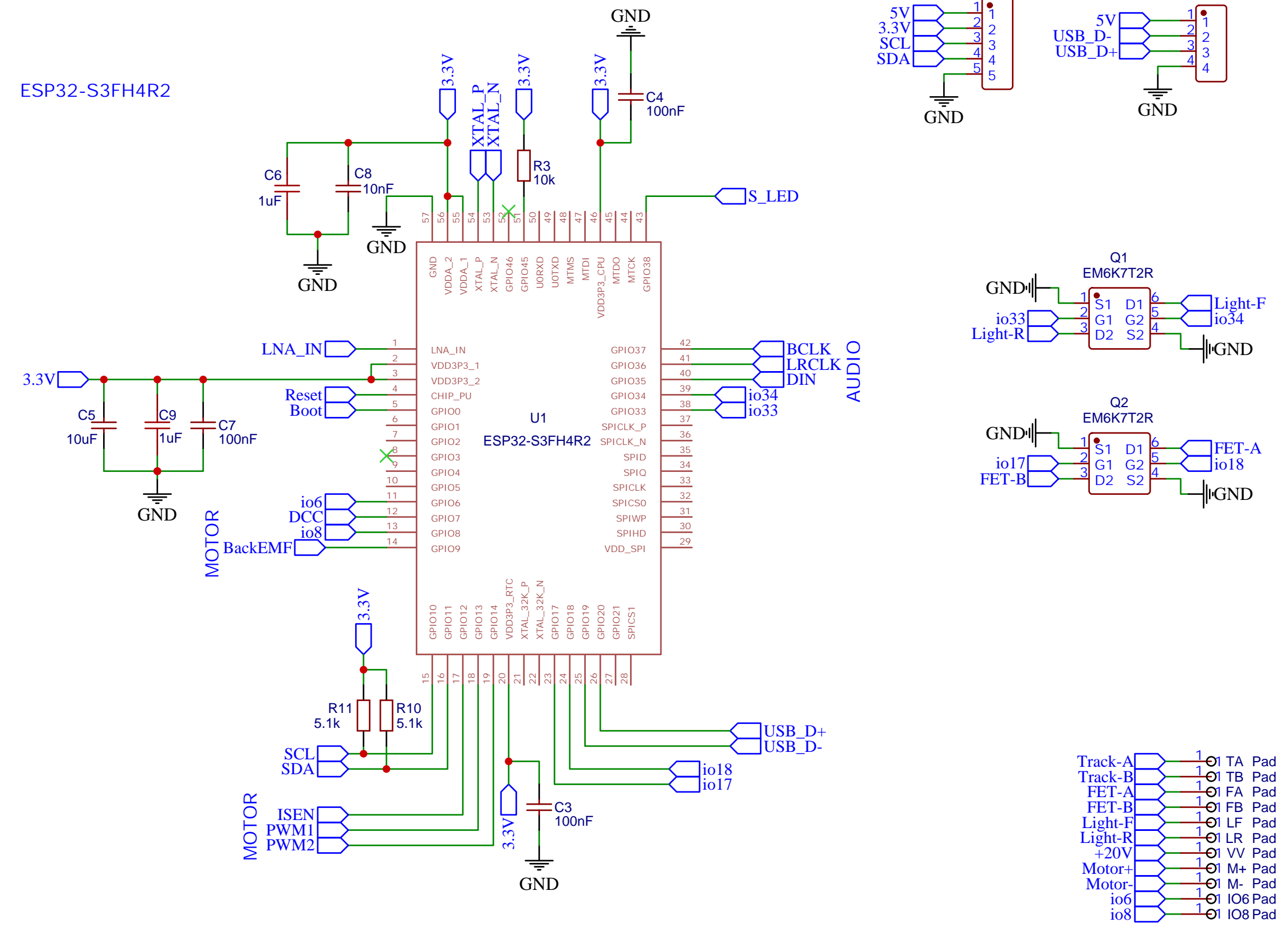
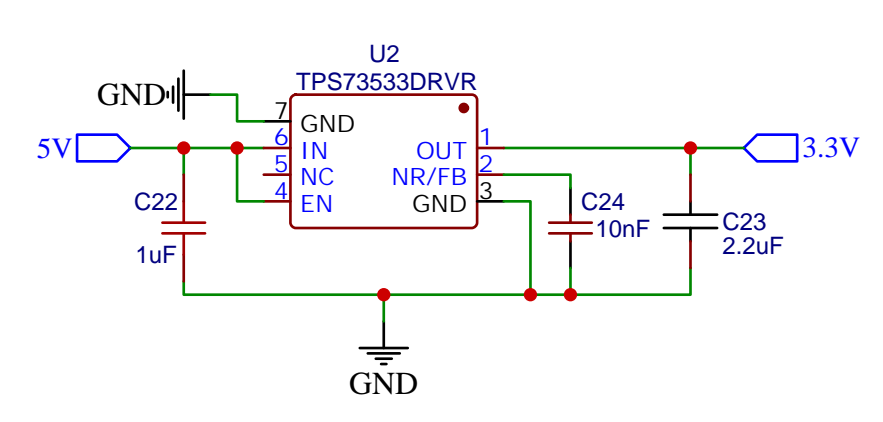


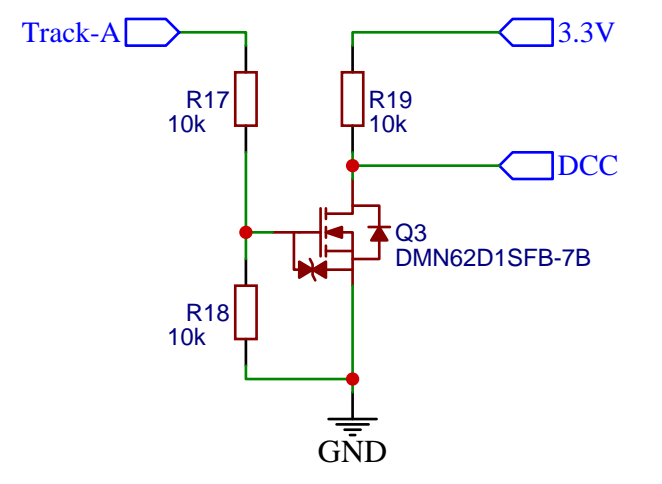
### ESP32-S3FH4R2



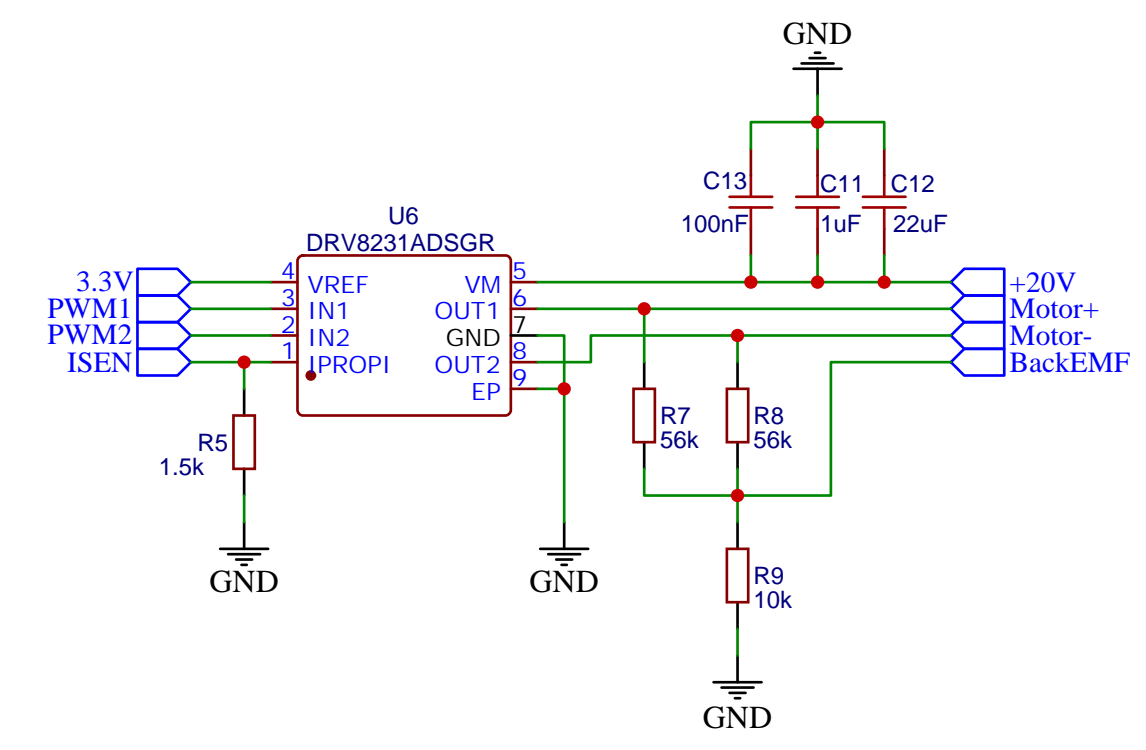
### LDO 5V to 3.3V



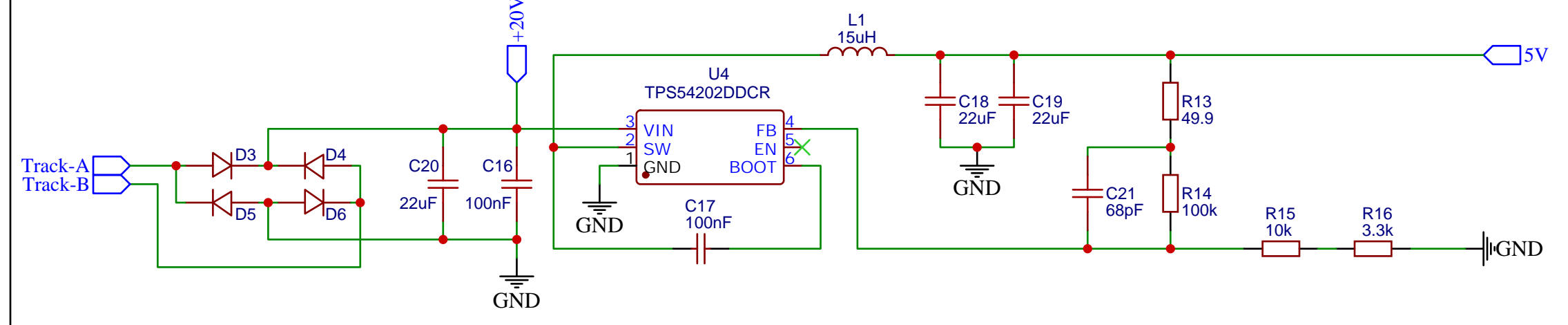
### DCC



### Motor Driver



### DC-DC 20V to 5V



### RGB-LED

