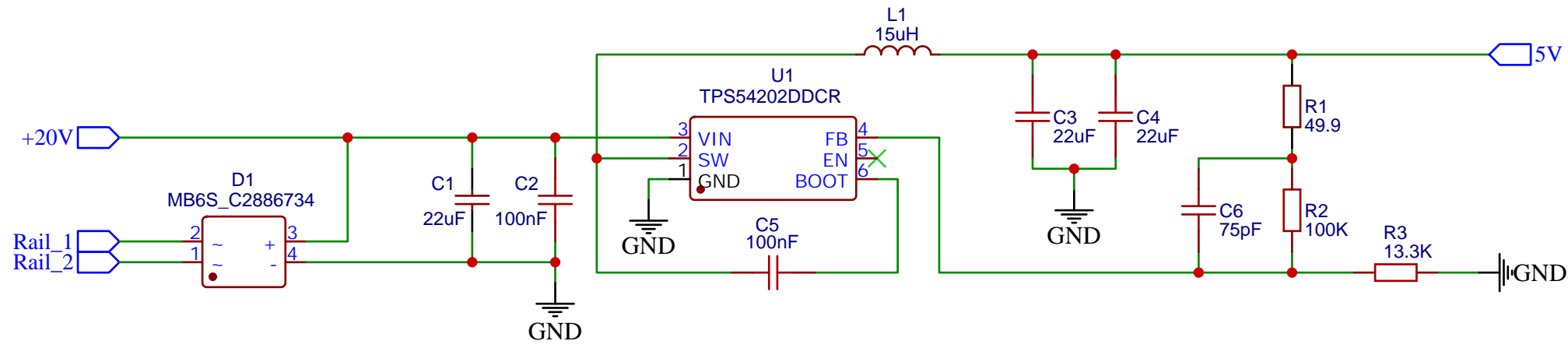
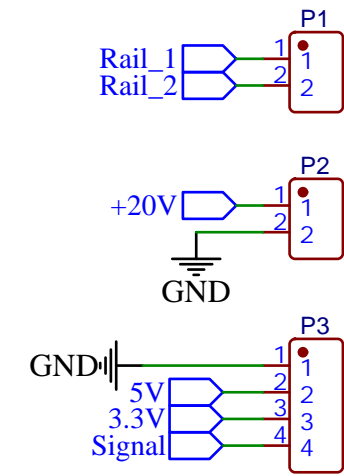


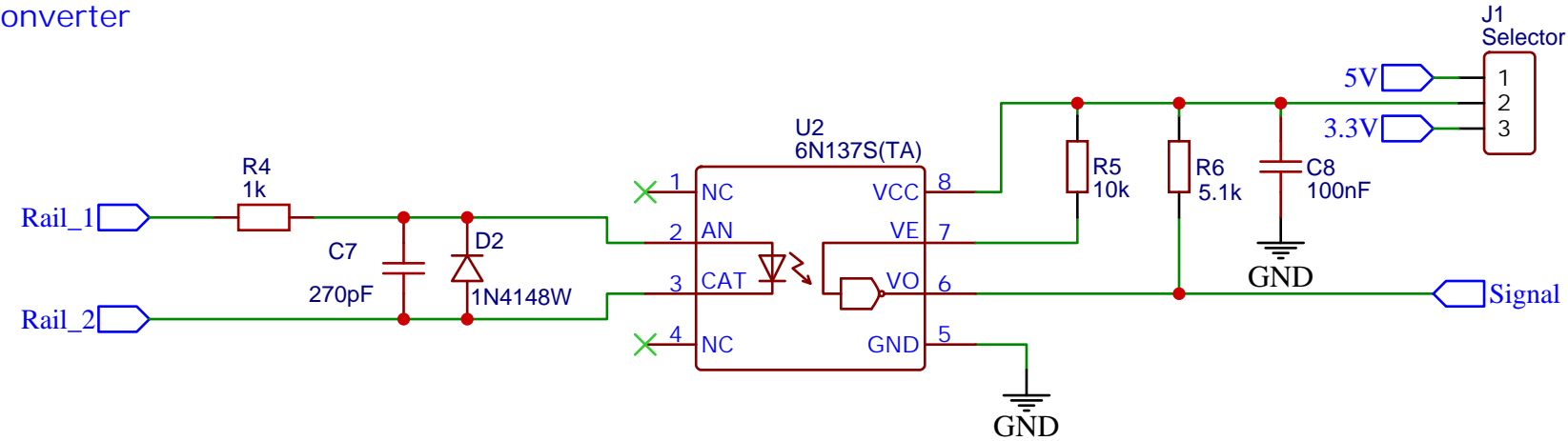
DC-DC 20V to 5V



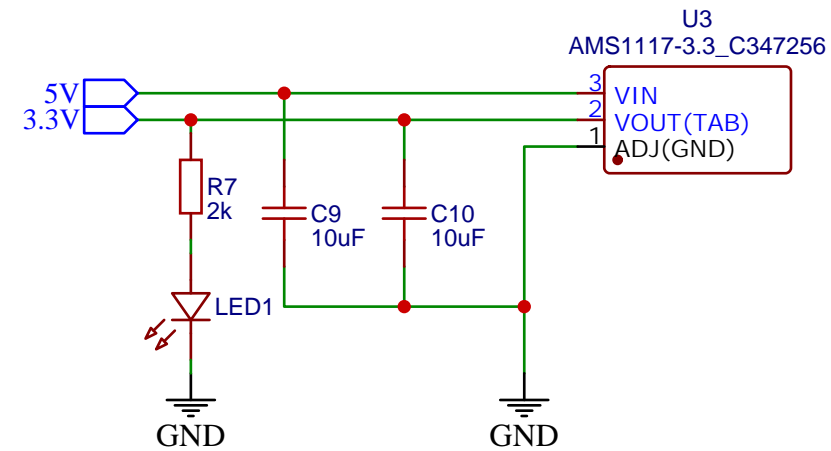
Screw terminals



DCC converter



LDO 5V to 3.3V



| | | |
|----------------------|--|------------|
| TITLE: DCC converter | | REV: 1.0 |
| Company: LOCO | | Sheet: 1/1 |
| Date: 2023-03-15 | | Drawn By: |